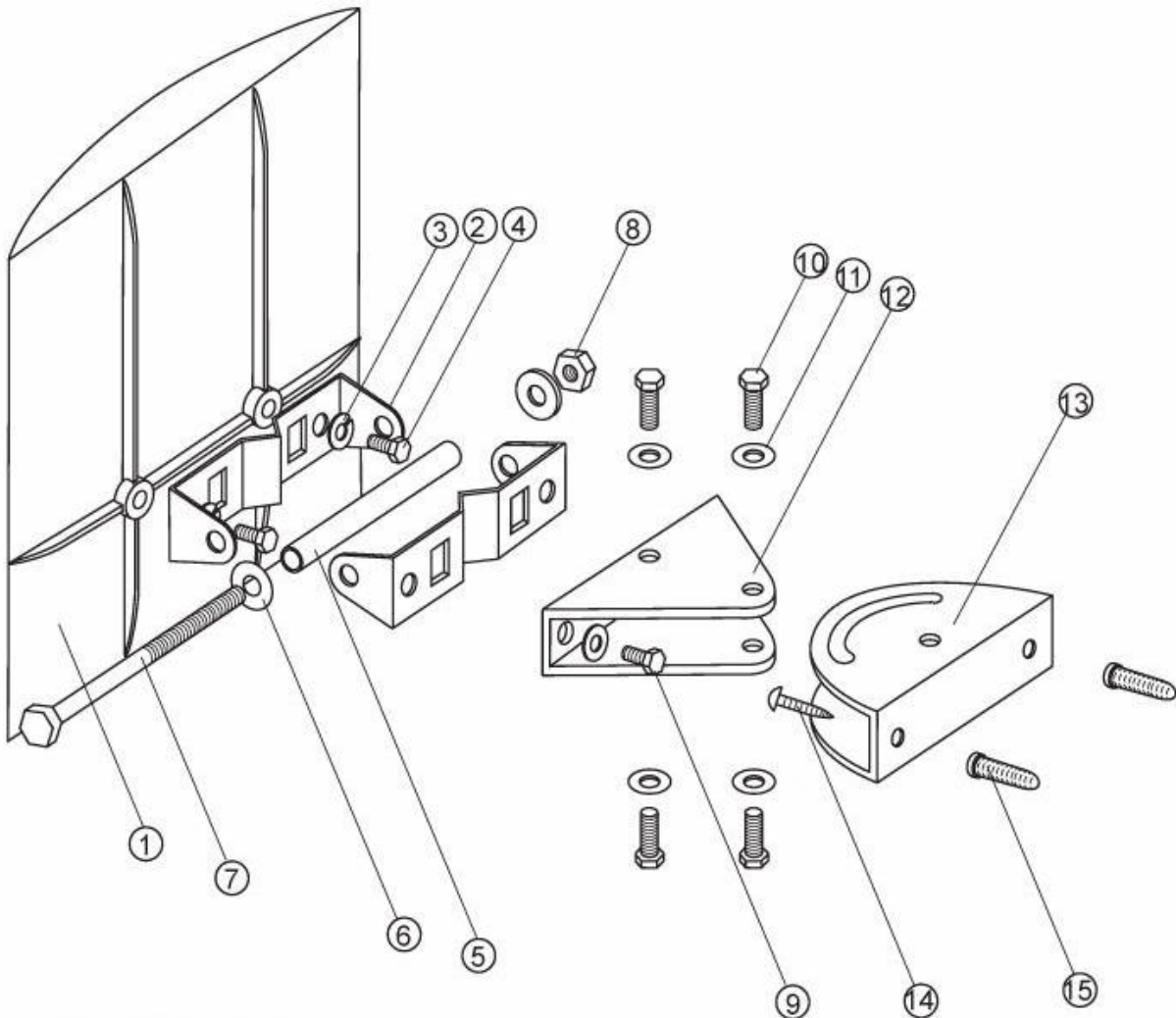


# TEW-OA14D 14 dBi Outdoor High Gain Directional Panel Antenna for 2.4 ISM Band

## Mounting Configuration

02262003



① Antenna Body

② M-type Stand -2 pcs

③ M8 Spring washer - 2 pcs

④ M8X12 screw - 2 pcs

⑤ Steel tube -1 pcs

⑥ M8 washer - 4 pcs

⑦ M8X110 screw - 1 pcs

⑧ M8 nut - 3 pcs

⑨ M8X16 screw - 2 pcs

⑩ M6X12 screw - 4 pcs

⑪ M6 washer - 4 pcs

⑫ Triangle stand

⑬ Main stand

⑭ Tapping screw - 2 pcs

⑮ Plastic wall anchor - 2 pcs

## **Installation note**

### **Warning!**

**Please observe all safety rules when assembling and installing the antenna. TRENDware will not be responsible for any damaged done by/to the antenna during/after the installation.**

### **Wall-Mounting**

1. Read through this instruction to get an idea of the process.
2. Open the hardware bags carefully and put the hardware in separate groups. If the hardware is pre-assembled, please disassemble it.
3. Use the two M8 x 12 screws (4) and M8 spring washers (3) to mount one of the M-Type Stands (2) to the antenna body.
4. Securely mount the Main Stand (13) on the wall with two tapping screws (14). Use the Plastic Wall Anchors (15) when necessary.
5. Assemble the other M-Type Stand and the Triangle Stand (12) with two M8x16 screws, two M8 washers (6), and two M8 nuts.
6. Install the assembly in step 3 to the Main Stand (in step 2) with four M6x12 screws (10) and four M6 washers (11). Do not tighten the screws, so you can rotate the Triangle Stand alone the Main Stand's curved slots.
7. Connect the antenna body's M-Type Stand (from step 1) to the M-Type Stand in step 4 with the M8x110 screw (7), steel tube (5), M8 washer (6), and install the M8 nut (8) on the M8x110 loosely (loose enough for you to adjust the antenna angle).
8. Adjust the antenna angles and then tighten all the nuts/bolts. Be careful not to over tighten the nuts and bolts.

### **Pole-Mounting**

If you are mounting the antenna on the pole, you will need to use the Clamp Blocks, the long bolts, and the washers (instead of the Main Stand and the Triangle Stand). The blocks, the bolts, and the washers are not shown in the picture on the first page.

1. Read through this instruction to get an idea of the process.
2. Open the hardware bags carefully and put the hardware in separate groups. If the hardware is pre-assembled, please disassemble it.
3. Use the two M8 x 12 screws (4) and M8 spring washers (3) to mount one of the M-Type Stands (2) to the antenna body.
4. Assemble the other M-Type Stand and one of the Clamp Blocks with two M8x16 screws, two M8 washers (6), and two M8 nuts.
5. Mount the assembly in step 2 and the other Clamp Block to the pole and tighten them with the long bolts, nuts, and washers.
6. Connect the antenna body's M-Type Stand (from step 1) to the M-Type Stand in step 3 with the M8x110 screw (7), steel tube (5), M8 washer (6), and install the M8 nut (8) on the M8x110 loosely (loose enough for you to adjust the antenna angle).
7. Adjust the antenna angles and then tighten all the nuts/bolts. Be careful not to over tighten the nuts and bolts.

If you have any questions, please feel free to contact us.

Tel: +1-310-891-1100 Fax: +1-310-891-1111

E-mail: [support@trendware.com](mailto:support@trendware.com)